

**BOUNCE** **LED**

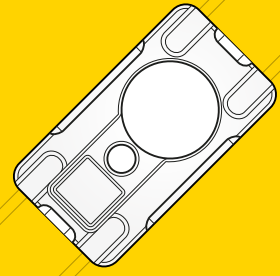
---

Micro

---

SIGNATURE SERIES

# Micro



The Micro is a compact and versatile module perfect for tight corners, shallow stroke channel letters and small lightboxes.



**POWER OUTPUT**  
0.48W



**LUMENS**  
50lm



**COLOUR TEMPERATURE**  
6500K



**WARRANTY**  
5 Years

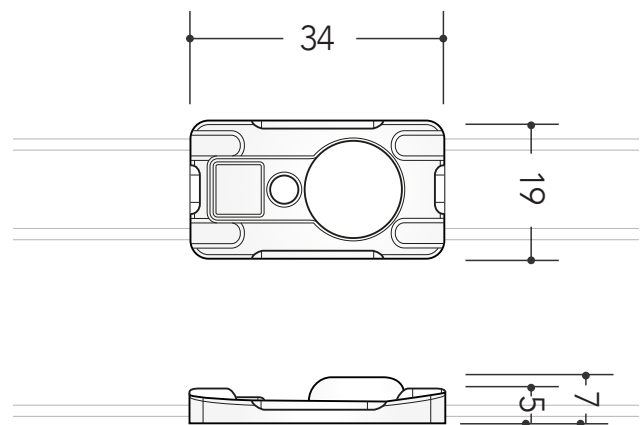


**SERIES CONNECTIVITY**  
50 Modules per chain

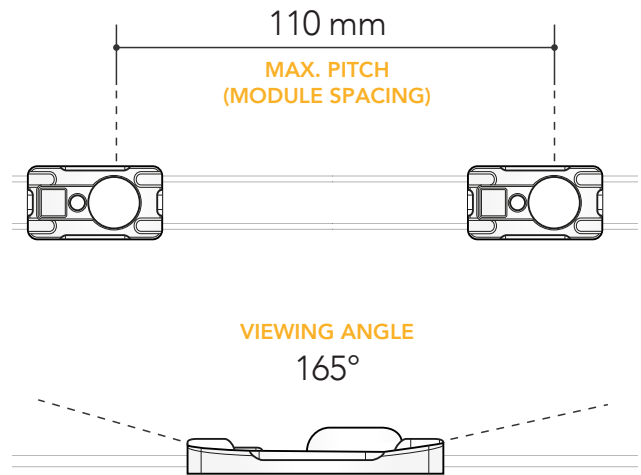
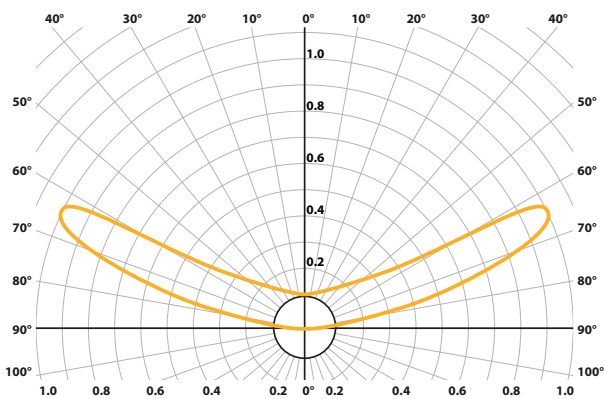


**IP RANK**  
IP67 (Suitable for outdoor use)

## MODULE DIMENSIONS



### BEAM DISTRIBUTION DETAIL



### Not sure where to start?

Use the complimentary *Bounce Wizard* online tool to generate LED layouts and calculate exactly how many Bounce LED modules you'll need to illuminate your channel letters and sign cabinets.

[bounced.com.au/wizard](https://bounced.com.au/wizard)



#### SIGNATURE SERIES - BACK LIGHT

● Micro	0.48W	50lm	6500K	5YR	34x19x7mm	50/series	45-100mm
● Apex	0.96W	100lm	6500K	5YR	52x19x7mm	40/series	60-150mm
● Aspect	1.44W	150lm	6500K	5YR	75x19x7mm	30/series	80-200mm
● Luminaire	3.0W	310lm	6500K	5YR	60x60x7mm	25/series	180mm +

#### SIGNATURE SERIES - SIDE LIGHT

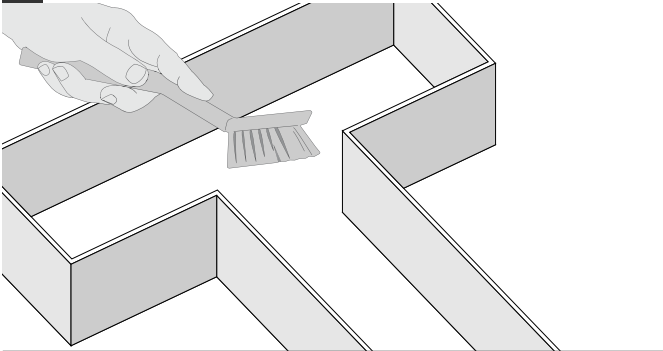
● Blade	2.88W	240lm	6500K	5YR	100x26x11mm	20/series	60-120mm
● Bolt	3.0W	250lm	6500K	5YR	63x33x15mm	20/series	100-200mm
● Blaster	4.5W	360lm	6500K	5YR	68x33x21mm	15/series	150-300mm

# Installation Guide

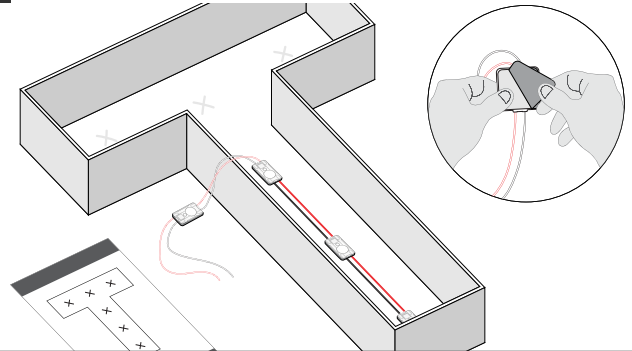


**WARNING** Please read these instructions completely and carefully.  
Risk of electrical shock. Disconnect power before servicing or installing product

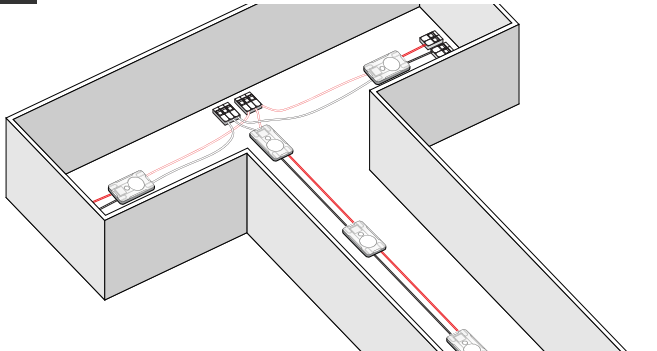
- 1** Ensure the inside of your channel letter or sign box is clean and free of debris.



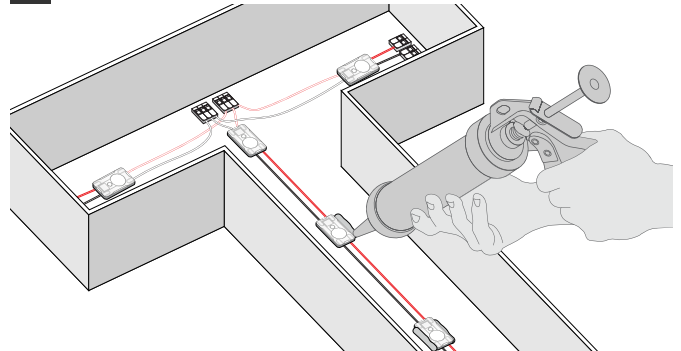
- 2** Using supplied LED layout, remove tape from the rear side and stick LED modules in place



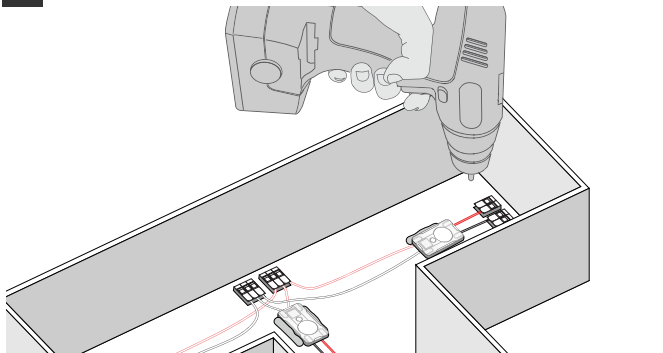
- 3** Working in low voltage WAGO connectors can be used to quickly wire LEDs in series or parallel. Do not exceed the maximum modules per series as this will result in voltage drop.



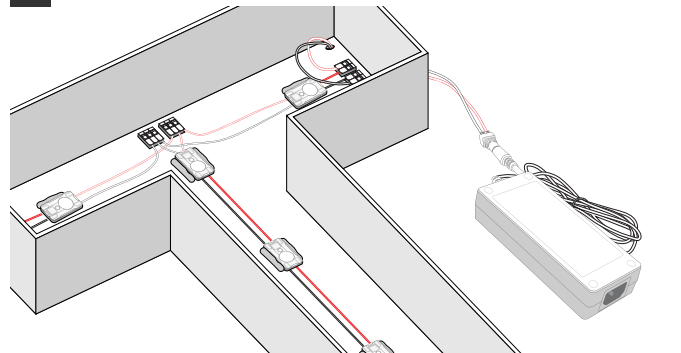
- 4** Secure LEDs by gluing modules in place



- 5** Drill holes out the back of the letters or sign box for connection to DC power supply



- 6** Wire the LED modules from the sign to the power supply. If there are multiple letters/signs they should be connected in parallel to eliminate voltage drop and ensure consistent brightness.



# LED Product Warranty

## LIMITED WARRANTY | Subject to change without notice

Bounce LED is committed to providing defect free products that will give the purchaser years of trouble free operation. All production facilities maintain strict quality assurance standards and our products are have been designed and thoroughly tested ensure the highest quality.

Bounce LED warrants its LED products to meet the performance criteria outlined in the written data sheets and specifications and to be free from defects in materials and workmanship for the warranty period stated (5 years). Should any LED products fail to perform as specified during the warranty period, Bounce LED will replace free of charge all defective product in accordance with the terms and conditions.

Modules must be installed with qualified constant voltage SMPS with international certificate to guarantee warranty.

## TERMS AND CONDITIONS

This warranty is based on reasonable indoor or outdoor usage in architectural and/or signage applications for image identification, when installed and used in accordance with instructions from Bounce LED.

Normal operating conditions are defined as 8-12 hours per day, 7 days per week, continuous use in typical outdoor heat and humidity, and environmental conditions as stated in our product specification.

All LED systems, to varying degrees, have some amount of light degradation over the life of the product. Bounce LED designs all of its LED systems to minimise this light degradation but considers this a normal part of LED technology.

This five year warranty is valid when the LED products of Bounce LED are properly installed and wired in accordance with all instructions, building codes, the latest domestic and international safety agencies that are recognised as having applicable safety requirements.

Any improper use in conditions that are not stated in Bounce LED's written data sheets and instruction, or stated herein, including the use of third party dimming, flashing or other effect devices, extreme environmental conditions or any other unintended usage will void this warranty.

## LIMITATION OF LIABILITY

Bounce LED is committed to making high quality lighting products. Returning defective products will help us monitor and further improve product quality. Repair or replacement of the product is the sole remedy available.

**Under no circumstance shall Bounce LED be liable for any incidental or consequential loss or damage whatsoever arising out of, or in any way related to any defect in or non performance of the products. No warranty of merchantability or fitness for a particular purpose is made or implied.**

Furthermore, Bounce LED shall not be responsible for any other costs, including installation or field support labour or loss of profits, income or revenue. Additionally, any drawing, layout, quotation or other communication regarding suggested product type, amount of usage is for reference only and should be treated as an estimate.

Bounce LED shall not be responsible for minimum illumination levels or other performance criteria that is not stated in Bounce LED's written data sheets and instructions, or stated herein.

Bounce LED reserves the right to test and examine all products returned under this warranty to evaluate proper usage, determine the cause of failure, and make a determination, in its sole judgement whether the products are defective and covered by this warranty.