

Cobra

BOUNCE FLEX STRIP SERIES

The Bounce Cobra by Tec-Know is a flexible strip-light purpose-built for wow factor. It's used to illuminate the most intricate and low profile channel letters and lightboxes with dramatic results. The zig-zag design allows the Cobra to duck and weave around the tightest of contours with ease.

PRODUCT FEATURES

- Zig-zag design for 360° flexibility around the tightest of contours, both vertically and horizontally
- 120° viewing angle
- Can be cut every 3 LEDs
- 3M double sided tape for easy installation



POWER OUTPUT
7.2W/m



LUMENS
518lm/m



COLOUR TEMPERATURE
6500K (Cool White)
ALSO AVAILABLE
3200K (Warm White)
Red, Green, Blue, Yellow



WARRANTY
5 Years



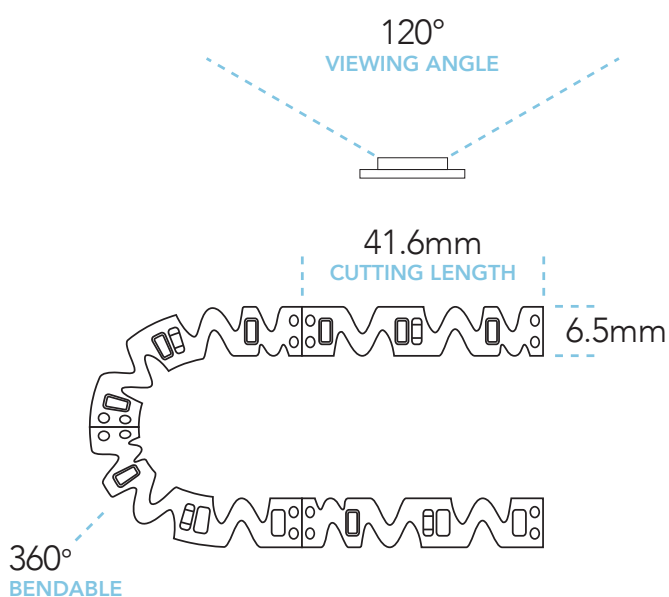
MAXIMUM SERIES LENGTH
2m



IP22 / IP64

CONSTANT VOLTAGE

EPISTAR



Distributed in Australia by Tec-Know Signage Products

PH 1800 TECKNOW | E sales@tec-know.com.au | www.tec-know.com.au

BOUNCE **LED**

LED PRODUCT WARRANTY

LIMITED WARRANTY | Subject to change without notice

Bounce LED is committed to providing defect free products that will give the purchaser years of trouble free operation. All production facilities maintain strict quality assurance standards and our products are have been designed and thoroughly tested ensure the highest quality.

Bounce LED warrants its LED products to meet the performance criteria outlined in the written data sheets and specifications and to be free from defects in materials and workmanship for the warranty period stated (5 years). Should any LED products fail to perform as specified during the warranty period, Bounce LED will replace free of charge all defective product in accordance with the terms and conditions.

Modules must be installed with qualified constant voltage SMPS with international certificate to guarantee warranty.

TERMS AND CONDITIONS

This warranty is based on reasonable indoor or outdoor usage in architectural and/or signage applications for image identification, when installed and used in accordance with instructions from Bounce LED.

Normal operating conditions are defined as 8-12 hours per day, 7 days per week, continuous use in typical outdoor heat and humidity, and environmental conditions as stated in our product specification.

All LED systems, to varying degrees, have some amount of light degradation over the life of the product. Bounce LED designs all of its LED systems to minimise this light degradation but considers this a normal part of LED technology.

This five year warranty is valid when the LED products of Bounce LED are properly installed and wired in accordance with all instructions, building codes, the latest domestic and international safety agencies that are recognised as having applicable safety requirements.

Any improper use in conditions that are not stated in Bounce LEDs written data sheets and instruction, or stated herein, including the use of third party dimming, flashing or other effect devices, extreme environmental conditions or any other unintended usage will void this warranty.

LIMITATION OF LIABILITY

Bounce LED is committed to making high quality lighting products. Returning defective products will help us monitor and further improve product quality. Repair or replacement of the product is the sole remedy available.

Under no circumstance shall Bounce LED be liable for any incidental or consequential loss or damage whatsoever arising out of, or in any way related to any defect in or non performance of the products. No warranty of merchantability or fitness for a particular purpose is made or implied.

Furthermore, Bounce LED shall not be responsible for any other costs, including installation or field support labour or loss of profits, income or revenue. Additionally, any drawing, layout, quotation or other communication regarding suggested product type, amount of usage is for reference only and should be treated as an estimate.

Bounce LED shall not be responsible for minimum illumination levels or other performance criteria that is not stated in Bounce LEDs written data sheets and instructions, or stated herein.

Bounce LED reserves the right to test and examine all products returned under this warranty to evaluate proper usage, determine the cause of failure, and make a determination, in its sole judgement whether the products are defective and covered by this warranty.

Please contact Tec-Know Signage Products for more information
Ph +61 2 9517 3222 | E sales@tec-know.com.au | www.tec-know.com.au
