

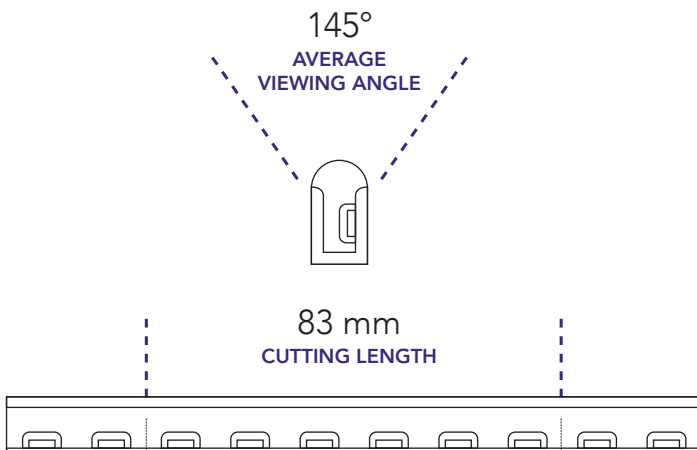
Novaneon

BOUNCE NOVANEON

The Novaneon is a linear LED lighting strip encased in a flexible silicone material. With horizontal bending capability, it is designed for easy installation of faux-neon signage and architectural lighting.

PRODUCT FEATURES

- Flexible horizontal bending strip
- Enhanced 5050 LEDs
- Can be cut every 6 LEDs
- 72 LEDs per metre
- UV resistant and salt mist proof
- Minimum bending diameter 6cm



POWER OUTPUT
12W



LUMENS
350lm



COLOUR TEMPERATURE OPTIONS
6500K (Cool White)
2700K (Warm White)
Red, Yellow, Green & Blue



WARRANTY
5 Years



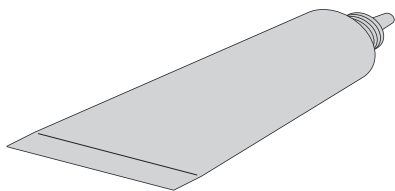
DIMENSIONS
11 x 20mm



SERIES CONNECTIVITY
10m per roll

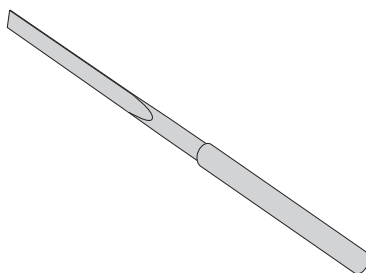
CE IP67 cULUS RoHS

ACCESSORIES



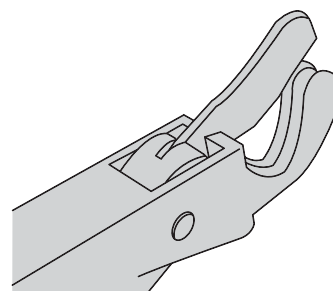
SILICONE GREASE

Silicone grease lubricates the end caps for easy installation.



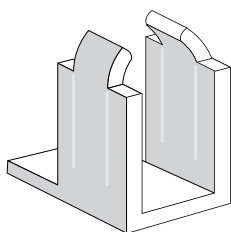
SCRAPER TOOL

Separates the silicone housing from the connector strips for easy installation of front caps.



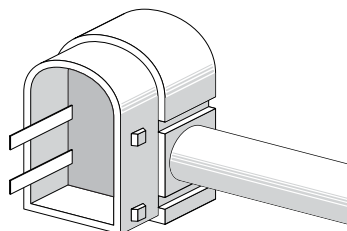
NOVANEON SHEARS

Cuts easily and cleanly through Novaneon. Cut only on cutting marks.



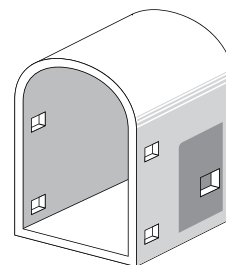
CLEAR INSTALL CLIPS

Transparent installation clips for indoor application.



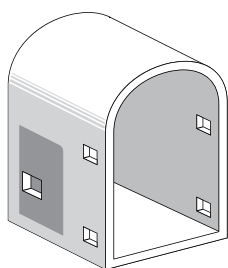
POWER CONNECTION PLUG

Connects to the front inner cap and provides power to the Novaneon.



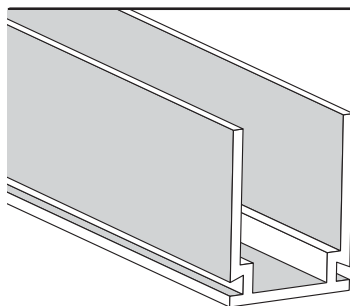
POWER CONNECTION ADAPTOR

Connects the Novaneon to the power connection plug.



END CAP

Seals and protects the end of the Novaneon strip.



ALUMINIUM PROFILE TRACK & STEEL CLIPS

The track holds the Novaneon strip in place. The track comes in 1m lengths with 3 steel clips.

LED PRODUCT WARRANTY

LIMITED WARRANTY | Subject to change without notice

Bounce LED is committed to providing defect free products that will give the purchaser years of trouble free operation. All production facilities maintain strict quality assurance standards and our products are have been designed and thoroughly tested ensure the highest quality.

Bounce LED warrants its LED products to meet the performance criteria outlined in the written data sheets and specifications and to be free from defects in materials and workmanship for the warranty period stated (5 years). Should any LED products fail to perform as specified during the warranty period, Bounce LED will replace free of charge all defective product in accordance with the terms and conditions.

Modules must be installed with qualified constant voltage SMPS with international certificate to guarantee warranty.

TERMS AND CONDITIONS

This warranty is based on reasonable indoor or outdoor usage in architectural and/or signage applications for image identification, when installed and used in accordance with instructions from Bounce LED.

Normal operating conditions are defined as 8-12 hours per day, 7 days per week, continuous use in typical outdoor heat and humidity, and environmental conditions as stated in our product specification.

All LED systems, to varying degrees, have some amount of light degradation over the life of the product. Bounce LED designs all of its LED systems to minimise this light degradation but considers this a normal part of LED technology.

This five year warranty is valid when the LED products of Bounce LED are properly installed and wired in accordance with all instructions, building codes, the latest domestic and international safety agencies that are recognised as having applicable safety requirements.

Any improper use in conditions that are not stated in Novaneon's™ written data sheets and instruction, or stated herein, including the use of third party dimming, flashing or other effect devices, extreme environmental conditions or any other unintended usage will void this warranty.

LIMITATION OF LIABILITY

Bounce LED is committed to making high quality lighting products. Returning defective products will help us monitor and further improve product quality. Repair or replacement of the product is the sole remedy available.

Under no circumstance shall Bounce LED be liable for any incidental or consequential loss or damage whatsoever arising out of, or in any way related to any defect in or non performance of the products. No warranty of merchantability or fitness for a particular purpose is made or implied.

Furthermore, Bounce LED shall not be responsible for any other costs, including installation or field support labour or loss of profits, income or revenue. Additionally, any drawing, layout, quotation or other communication regarding suggested product type, amount of usage is for reference only and should be treated as an estimate.

Bounce LED shall not be responsible for minimum illumination levels or other performance criteria that is not stated in Bounce LED's written data sheets and instructions, or stated herein.

Bounce LED reserves the right to test and examine all products returned under this warranty to evaluate proper usage, determine the cause of failure, and make a determination, in its sole judgement whether the products are defective and covered by this warranty.

Please contact Tec-Know Signage Products for more information
Ph +61 2 9517 3222 | E sales@tec-know.com.au | www.tec-know.com.au
